



KL 1600 LED

- multiple LED light engine
- wide range power supply (90-264 V, 47-63 Hz) with international clip plug system
- silent fan cooling
- continuous dimming from 0 to 100%
- compact high quality housing with integrated handle
- small footprint and additional iron ballast for stability when used with goosenecks
- filter slider with two positions (filter can remain in the light source even if it is not used)
- easy to use fixture mechanism with clamping screw
- comprehensive range of lightguides and accessories available (KL 1500 series)
- **Approvals:**
The KL 1600 LED is in compliance with the CE regulations (power supply CE, UL, PSE)
- Manufactured in the EU

KL 1600 LED

a benchmark in the field of LED light sources

The KL 1600 LED is a fiberoptical lightsource with a multiple LED light engine, designed for industrial and life science applications in Stereo Microscopy and Macroscopy.

The brightness is equivalent to a 150-watt halogen cold light source.

All advantages of LED light sources,

- *no bulb changing*
- *low energy consumption*
- *ripple free DC illumination*
- *white light (daylight)*
- *no visible color temperature shift on dimming*

are combined with the main advantages of fiber optics,

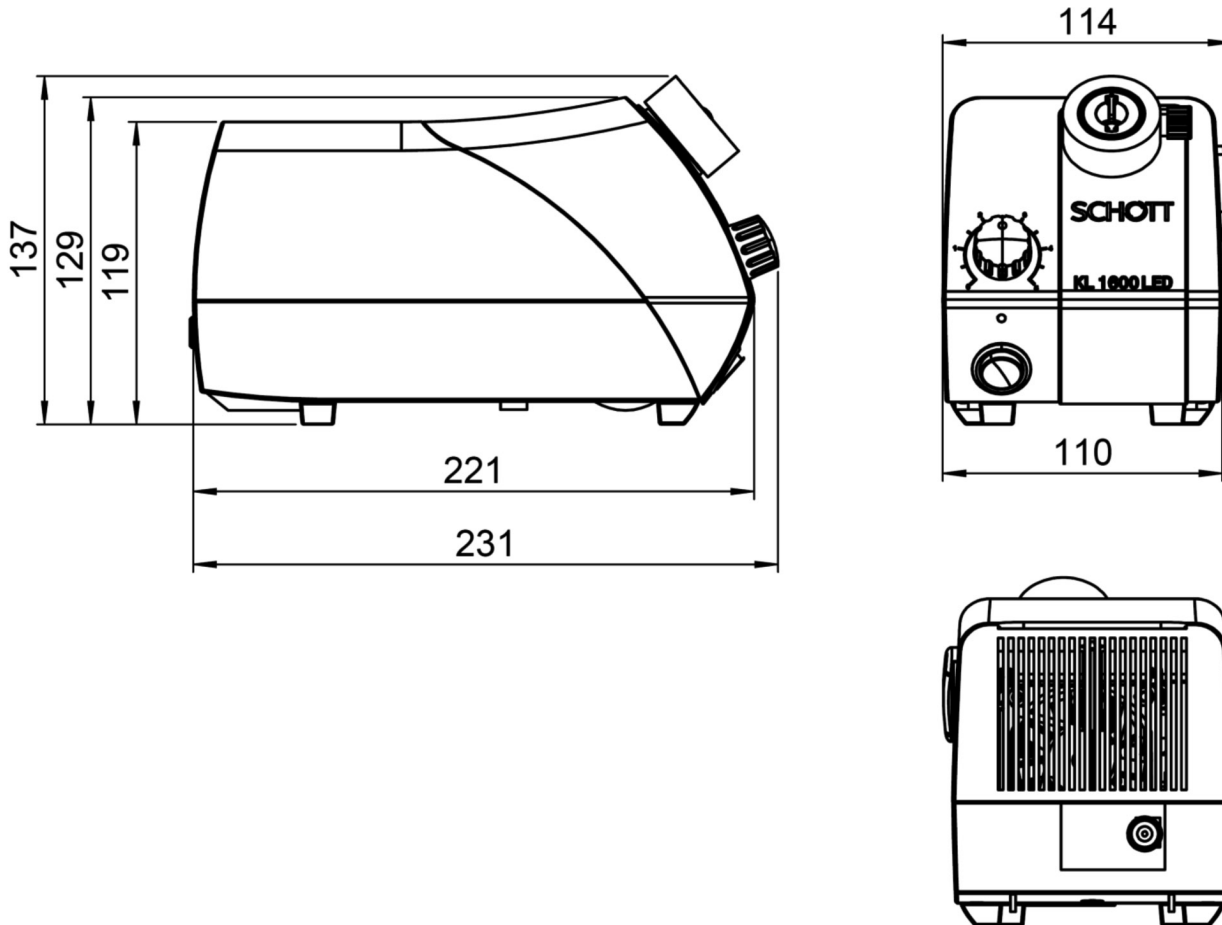
- *very high light intensity focused to a small field of view*
- *high flexibility of light and illumination techniques*

for an outstanding price performance ratio.

KL 1600 LED		
General data		
Part-No.		150 600
Dimensions (W x D x H)	(mm) / (inch)	231 x 114 x 137/9.1" x 4.5" x 5.4"
Weight	(kg)	Approx. 2.45
Cooling		Silent fan
Electrical data		
Operating voltage, frequency		90 – 264 V ~, 47 – 63 Hz
Input voltage	(V)	24 V
Power consumption	(VA)	max. 37
Protection class		II
Overvoltage category		II
Diodes		Osram Ostar Compact
LED power rating	(W)	7 x 4.9
A verage LED life time	(h)	50,000
Illumination data		
Luminous flux	(lm)	650
Color temperature	(K)	Approx. 5,600
Light control		Electrical
Active light guide diameter	(mm) / (inch)	max. 9 / max. 0.35"
Certification marks		
Approvals		CE (power supply: CE, UL, PSE)
EMV-class		B

Note: country specific power cord must be ordered separately!

KL 1600 LED



All specifications are subject to change without prior notice. This datasheet or any extracts thereof may only be used in other publications with express permission of SCHOTT.

© SCHOTT AG

Fiber Optics
SCHOTT AG
Otto-Schott-Strasse 2
55127 Mainz
Germany

Phone +49 (0)6131/66-7796
Fax +49 (0)6131/66-7850
lightingimaging@schott.com
www.schott.com/lightingimaging

For your local sales contact please visit
www.schott.com/fiberoptics/english/contact

SCHOTT
glass made of ideas